



Copyright © 2011 Boart Longyear. All rights reserved.

LX™ 6 GEO-TECHNICAL DRILL (DB525)

Technical Overview

LX™6 GEO-TECHNICAL DRILL

HIGH DRILLING POWER IN A SMALL PACKAGE, THE MULTIPURPOSE LX™6 IS AN ESSENTIAL TOOL ON TODAY'S JOB SITE

Power and Versatility

The LX6 features a powerful Deutz D914 L04 air cooled diesel engine that produces 53 kw (71 hp) of power at 2,300rpm. The LX6 also has a maximum breaking torque of 20.5 kNm (15,120 lb-ft) and 55 kN (12,364 lbf) of pull back force.

Design

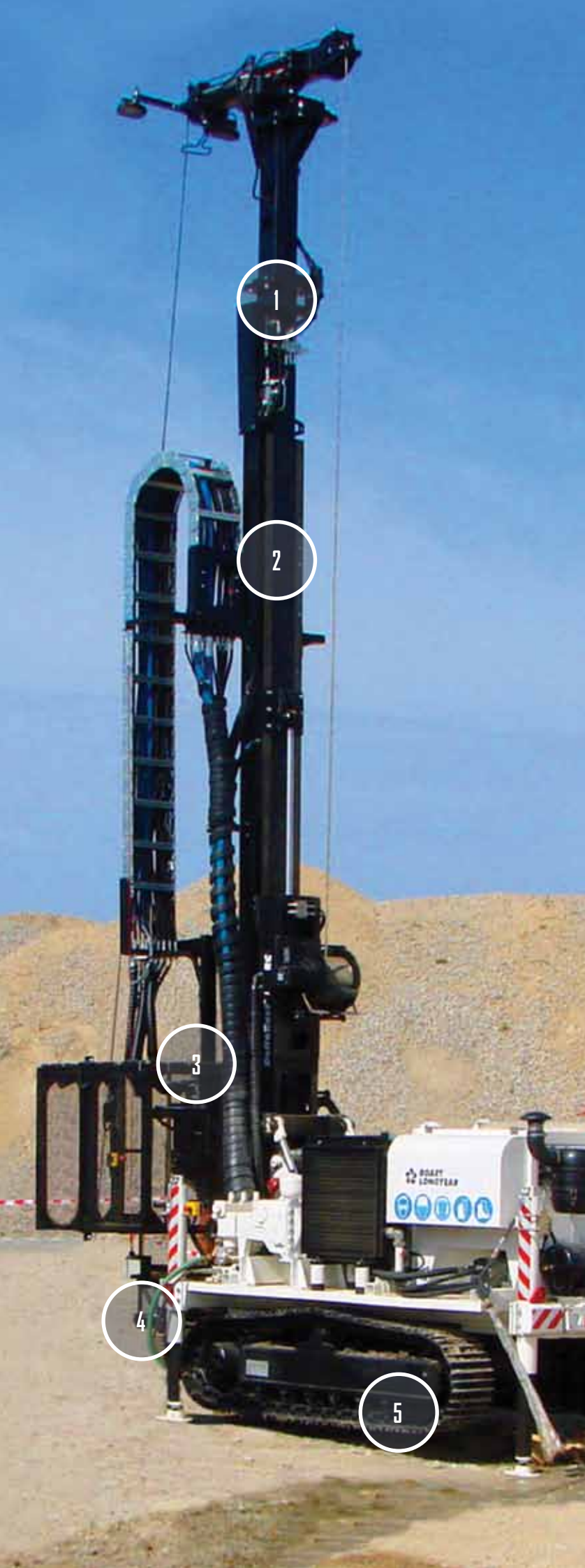
The LX6 is capable of both wireline and conventional coring as well as DTH, rotary and auger drilling methods. This multipurpose rig was specifically designed to be extremely versatile with its powerful steel crawlers, mast dump/raising ability and 220 mm double clamps.

Safety

The LX6 comes loaded with standard safety features. The safety cage ensures drillers remain a safe distance from the drill string, while low speed and low torque rotation ensures safe rod management. The steel crawlers coupled with the LX6's upright stability make this machine extremely stable on uneven formations.



For more information on the LX™6 scan with a QR code reader on your smart phone.



1 TECHNOLOGY

1000 mm mast dump for improved positioning on rough terrain

2 INNOVATION

Hydraulic side shift for easy rod-pulling and clear access to center line

3 SAFETY

Standard safety features include a safety cage, low speed and low torque rotation for safe rod management

4 VERSATILITY

220 mm double clamp for making and breaking rod joints quickly and safely

5 DRILL ANYWHERE

Powerful steel crawlers ensure mobility on difficult terrain

LX™ 6 TECHNICAL INFORMATION

Copyright © 2011 Boart Longyear. All rights reserved.

Drilling Depth Guidelines		
	Hole Depth Meters	Hole Depth U.S.
Core drilling		
NQ / NQ2" / NV / NV2"	350 m	1,150 ft
HQ / HV	220 m	710 ft
PQ / PV	145 m	480 ft
SQ	90 m	290 ft
Rotary drilling (Tricone)		
Hole diameter 216 mm (8.5 in)	175 m	570 ft
Auger drilling		
Hole diameter 150 mm (5.9 in)	15-20 m	49-65 ft
DTH drilling package		
Maximum size DTH hammer	98 mm (3-7/8 in) @ max 17,2 m ³ / min @ max 24 bar	
Maximum depth capacity	290 m	950 ft
Recommended hole size	115 mm	4.5 in
Maximum hole size	127 mm	5 in
Recommended rod size	76.1 mm	3 in

Prime Mover	Metric	U.S.
Standard	DEUTZ D914 L04 air cooled engine, COM III, 4 cylinder	
Fuel	Diesel	
Fuel Consumption	225 g/kWh	
Maximum Power	53 kW @ 2.300 rpm	71 hp @ 2,300 rpm
Electrical Circuit	12V	
Fuel Tank Capacity	60 l	16 gal

Prime Mover for Higher Ambient Temperature / Elevations - Optional Equipment		
	Metric	U.S.
Engine	DEUTZ BF4L914 air cooled engine, COM II, 4 cylinder turbocharged	
Fuel	Diesel	
Fuel Consumption	223 g/kWh	
Maximum Power	72,4 kW @ 2.300 rpm	94 hp @ 2,300 rpm
Electrical Circuit	12V	
Fuel Tank Capacity	60 l	16 gal

Rotary Head DD52		
	Metric	U.S.
Low Gear	4,880 - 980 Nm / 52-265 rpm	3,560 - 723 lb-ft / 52 - 265 rpm
High Gear	1,855 - 360 Nm / 140 - 708 rpm	1,368 - 265 lb-ft / 140 - 708 rpm
Bore - Inside Diameter	62 mm	2.44 in
Flushing Head - Inside Diameter	22 mm	0.87 in
Rotation Motors	Danfoss - variable / reversible with pressure remote	
Top Drive Flange	2 3/8" API Reg PIN	
Hydraulic Motor at Max / Min Displacement, Diesel Engine at 2200 rpm		
Gear Ratio	1st - 7.68 : 1	2nd - 2.92 : 1
Rotary Head Carriage with Side Shift		

Rotary Head HY79		
	Metric	U.S.
Low Gear	6,540 Nm / 39 rpm	4,824 lb-ft / 39 rpm
High Gear	320 Nm / 800 rpm	236 lb-ft / 800 rpm
Bore - Inside Diameter	52 mm	2 in
Flushing Head - Inside Diameter	24 mm	1 in
Rotation Motors	Parker V12-80 + Danfoss TMT 315	
Top Drive Flange	2 3/8" API Reg PIN	
Gear Ratio	4.047:1	
Distance From Drilling Line to Chain	435 mm	17.12 in
Rotary Head Carriage with Side Shift and tip-out		

Hydraulic System		
	Metric	U.S.
Primary Pump	Parker bent axis, fixed displacement	
Maximum Flow	66 lpm @ 2,200 rpm	17.5 gpm @ 2,200 rpm
Maximum Pressure	250 bar	3,626 psi
Secondary Pump	Cassappa gear pump	
Maximum Flow	59 lpm @ 2,200 rpm	15.5 gpm @ 2,200 rpm
Maximum Flow (2nd)	48 lpm @ 2,200 rpm	12.5 gpm @ 2,200 rpm
Maximum Pressure	175 bar	2,538 psi hp
Oil Tank Capacity	200 l	53 gal

LX™ 6 TECHNICAL INFORMATION

Copyright © 2011 Boart Longyear. All rights reserved.

Drill Mast and Feed System		
	Metric	U.S.
Feed Stroke	4000 mm	13.2 ft
Feed Speed - Up	12,5 m/min	41 ft/min
Feed Speed - Down	18 m/min	59 ft/min
Fast Feed Speed - Up	31 m/min	101 ft/min
Fast Feed Speed - Down	51 m/min	167 ft/min
Pull Down Force	34 kN	7,673 lbf
Pull Back Force	55 kN	12,364 lbf
Drilling Inclination	45° horizontal to 90° vertical down	
Mast Dump	1000 mm	3.3 ft
Max. Rod Length	3000 mm	10 ft

Main Winch		
	Metric	U.S.
Line Pull	30 kN	6,744 lbf
Line Speed - Bare Drum	29 m/min	95 ft/min
Line Speed - Full Drum	36 m/min	118 ft/min
Cable Length, 14 mm	35 m	114.8 ft

Rod Clamps		
	Metric	U.S.
Maximum Diameter	220 mm	8.6 in
Maximum Clamping Capacity	175 kN	4,500 lbf
Maximum Breaking Torque	20,5 kNm	15,120 lb ft

Centralizer - Rod Guide		
	Metric	U.S.
Exchangeable Inserts for Rods	56, 76, 89, 114, 127, 140, 168, 193, 220 mm (Choose required sizes)	

Undercarriage		
	Metric	U.S.
Type	Crawler mounted triple grouser steel tracks	
Maximum Driving Speed	1,5 km/h	1 mph
Axis Distance	1715 mm	67.5 in
Maximum Ground Pressure	0,053 MPa	7.7 psi
Climbing Capacity (with winch support)	(Grade ability 60%) approximately 30°	
Optional Undercarriage	Trailer Mounted, Skid Mounted	

Mast Extension for Longer Rod Pull		
	Metric	U.S.
Maximum Rod Pull	2 x 3 m (6 m)	20 ft
Fitted onto Standard Mast to Pull 6 m Rod		
Rod Storage	30 pieces of 76 mm (3 in) rods	
Towing Hook on Rear of Rig		
Air Connection on Rear of Rig for DTH Compressor		

Optional Equipment

Wireline Winch		
	Metric	U.S.
Line Pull - Bare Drum	6,5 kN	1461 lbf
Line Pull - Full Drum	4,0 kN	90 lbf
Line Speed - Bare Drum	100 m/min	327 ft/min
Line Speed - Full Drum	200 m/min	656 ft/min
Cable Length 5 mm	350 m	1150 ft

Mud Pump DP100		
	Metric	U.S.
Continuous Flow	90 l/min	23.7 gpm
Pressure	30 bar	435 psi

Mud Pump W1122BCD		
	Metric	U.S.
Continuous Flow	130 l/min	34 gpm
Pressure	60 bar	870 psi

FMC Pump L0918		
	Metric	U.S.
Flow	100 l/min	26 gpm
Pressure	45 bar	652 psi

Standard Penetration Test (SPT) Auto Hammer		
	Metric	U.S.
Impact Rate	1-30 bpm	
Travel Length	762 mm	30 in
Hammer Weight	63,5 kg	140 lb

Oil Line Lubricator for DTH Drilling		
	Metric	U.S.
Oil Tank Capacity	10 l	2.7 gal

LX™ 6 TECHNICAL INFORMATION

High Temperature Oil Cooler

Upgraded Oil Cooler For Ambient Temperatures Over 35°C (95°F)

Night Lights

No. of Pieces	4
---------------	---

Jaw Body for Clamp and Break Out for Coring

Jaw Plates For Coring	BQ™ / BW
(Choose Required Sizes)	NQ™ / NW
	HQ™ / HW
	PW

Mist Pump

	Metric	U.S.
Flow	30 l/min	8 gpm
Pressure	200 bar	2,900 psi

Accessories

Auxiliary Work Vice	180 mm wide, 220 mm long, 120 mm deep clamp, rotating mounting base and separate rod support work bracket
Remote Control	Radio remote control for driving
Auxiliary Diesel Filling Pump	Electric powered diesel filling pump
Instrument Vandal Covers	Lockable covers for control panels and instruments
Rubber Crawler Pads	Full set (76 pcs)
Tool Box	With necessary set of tools for basic maintenance and lubrication

Environmental Oil In Hydraulic System

Weight

Operational Weight = approx. 6,500 kg (14,330 lb) Dry Weight = 6,200 kg (13,670 lb)	Consisting of: Diesel power unit group Deutz D914L04 4.10 liter 4 cylinder Hydraulic module Main winch c/w cable Hydraulic mast raising (independent) Lower mast assembly Levelling jacks (hydraulic) Rotary head Crawler - triple grouser type 12V Battery Foot Clamp and breaking cl
Max. pull on inner layer climbing capacity without support winch grade ability 37%, approx. 20°	

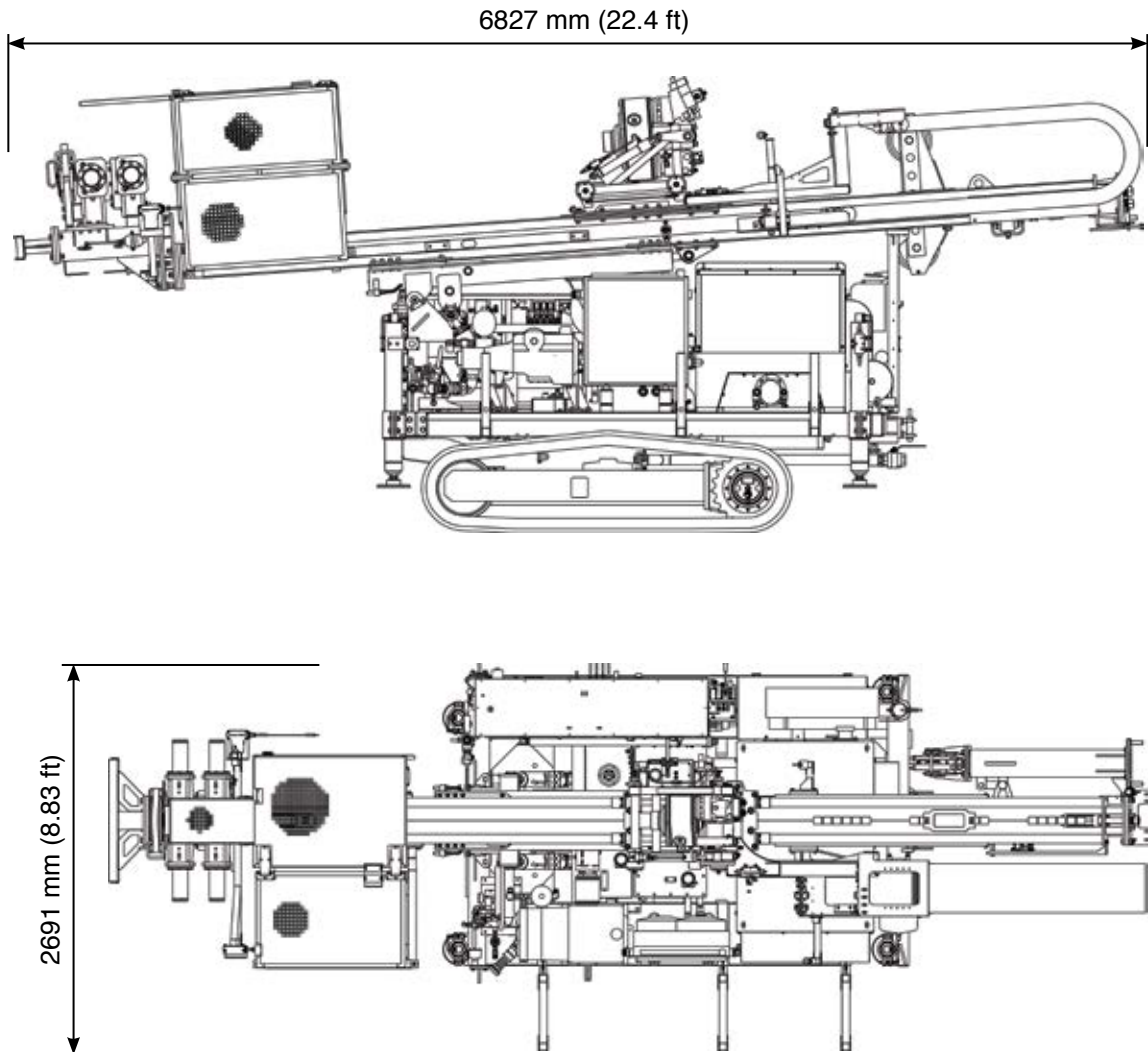
Measurements

Length:
6827 mm (22.4 ft)

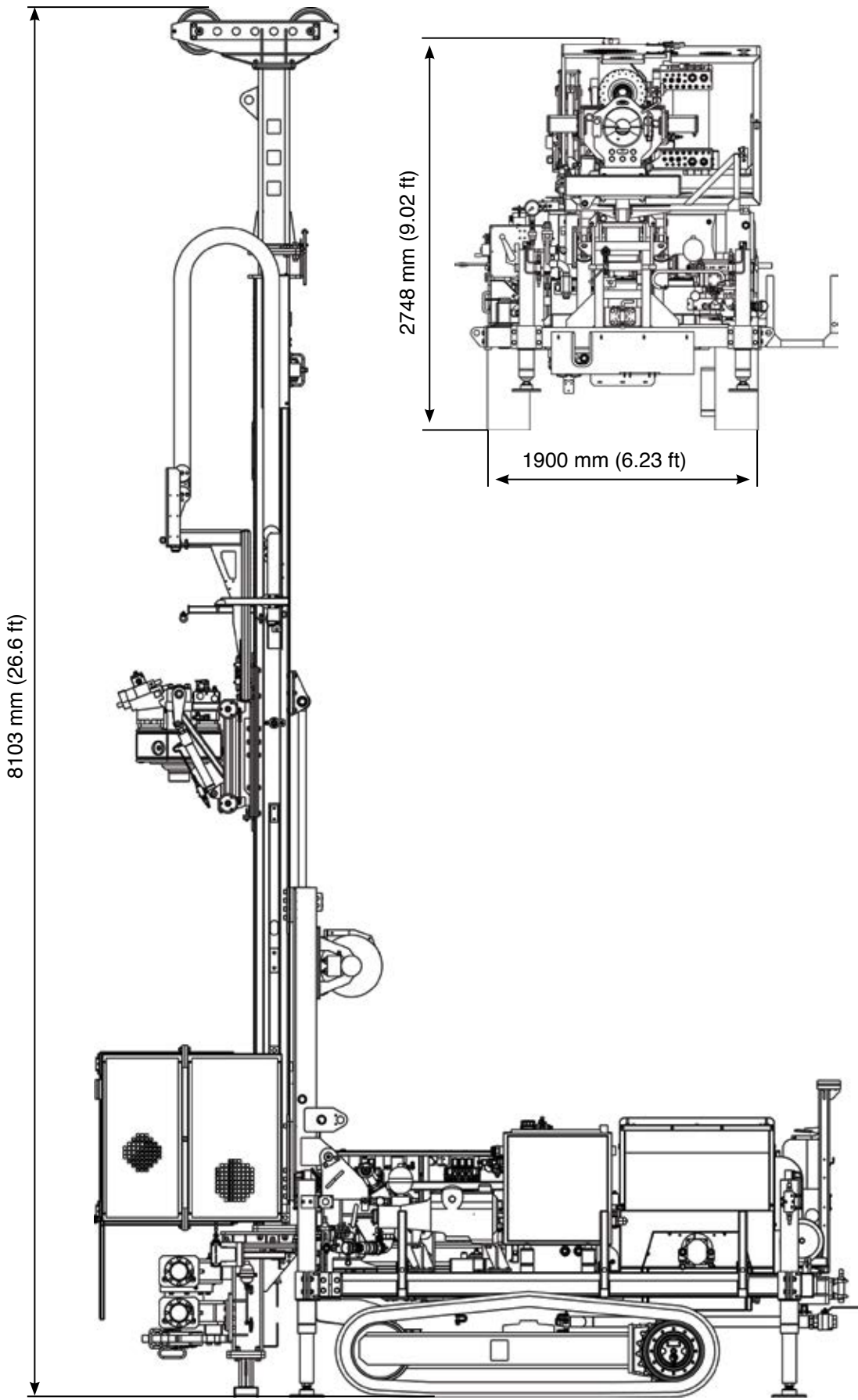
Height:
2748 mm (9.02 ft)

Height (with mast extended): 8103 mm (26.6 ft)

Width (without rod rack):
2000 mm (6.6 ft)



Measurements



NOTES



Global Headquarters

Boart Longyear
10808 South River Front Parkway
Suite 600
South Jordan, Utah 84095
United States of America
info@boartlongyear.com

Tel: +1 801 972 6430
Fax: +1 801 977 3374

Latin America

Boart Longyear
Portal Riesco
Av. El Salto 4001, Huechuraba
Santiago, Chile 858 0641
infochile@boartlongyear.com

Tel: +56 2 595 3300
Fax: +51 242 671

Canada

Boart Longyear
2442 South Sheridan Way
Mississauga, Ontario
Canada L5J 2M7
info@boartlongyear.com

Tel: +1 905 822-7922
Fax: +1 905 822-7232

Europe

Boart Longyear
12 Avenue des Morgines
CH1213 Petit-Lancy,
Geneva, Switzerland
infoEU@boartlongyear.com

Tel: +41 22 709 0800
Fax: +41 22 709 0801

Asia Pacific

Boart Longyear
26 Butler Boulevard
Adelaide, 5950
Australia
infoAP@boartlongyear.com

Tel: +61 8 8375 8375
Fax: +61 8 8375 8497

Sub-Saharan Africa

Boart Longyear
Cycad House, Constantia Office Park
Cnr 14th Avenue and Hendrik Potgieter
Weltevreden Park, 1709
Gauteng, South Africa
infosasa@boartlongyear.com

Tel: +27 11 767 9300
Fax: +27 11 767 9301

MINING AND EXPLORATION DRILLING PRODUCTS



Diamond Products



Genuine Q™ Wireline
Tooling



Rods and Casing